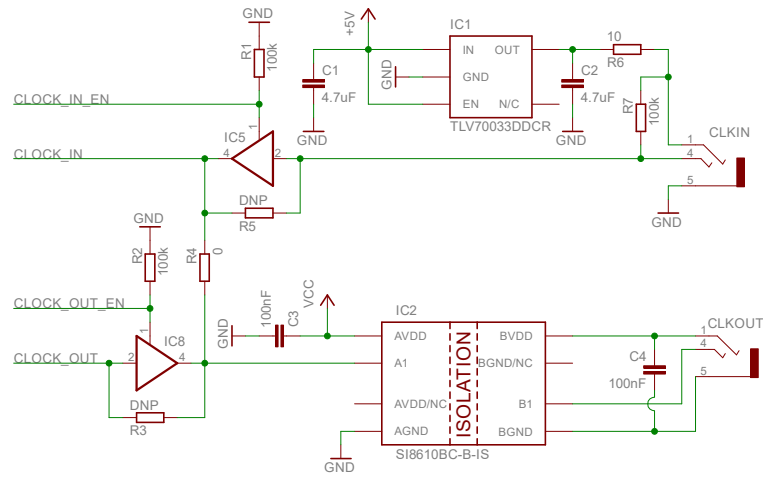
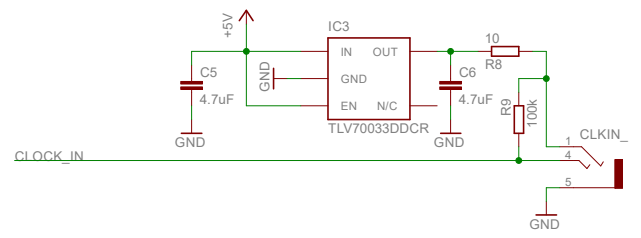


Example for a system able to receive and send the harp synchronization clock.



Example of the circuit to receive the harp synchronization bus.



Example of the circuit to send the harp synchronization bus.

